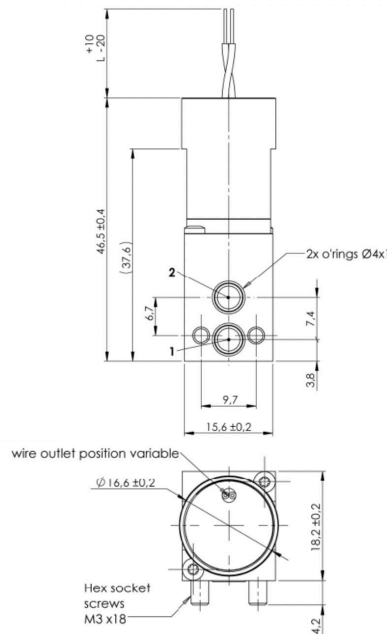


Pressure compensated proportional valve

gevasol Ping

March | 2021



- Flow control
- Downstream pressure regulation
- Venturi flow control
- Pilot pressure regulator
- Air motor
- Mass Flow Controller (MFC)

High-flow, pressure compensated proportional valve

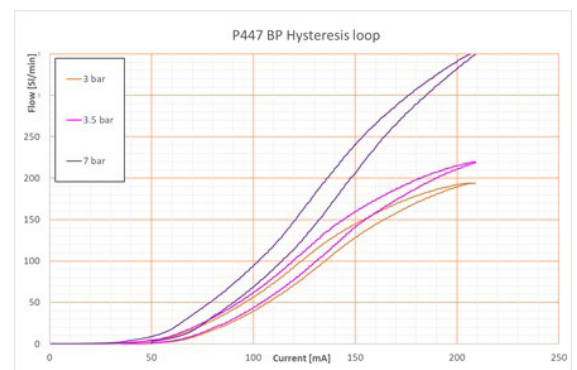
The P447 valve enables the design of compact low-power instruments, mixing and dosing gases, and regulating pressure.

This valve is ideal for downstream pressure and flow regulation. Its pressure compensation mechanism allows for:

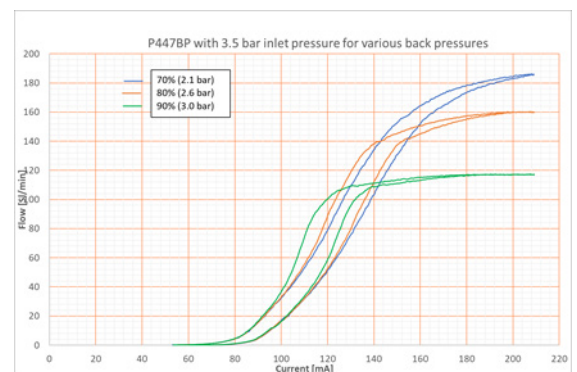
- pressure range of -1 to 7 bars and
- flow rate of 170l/min @3 bar in a miniature footprint

Markets

- Biotechnology
- Medical applications
- Scientific instrumentation
- Textile industry



Flow curve as usually shown on proportional valves



Flow curve with different back pressures showing the capability to work in pressure regulation

Product Webpage: <https://gevasol.com/product/p447-f010/>
Challenge us with your needs gevasolfluid@gevasol.com

gevasol
fluid and motion control

www.gevasol.com

gevasolfluid@gevasol.com