

P-Series Blowers

Customizable Micro Blower

Lightweight blowers designed for respiratory systems

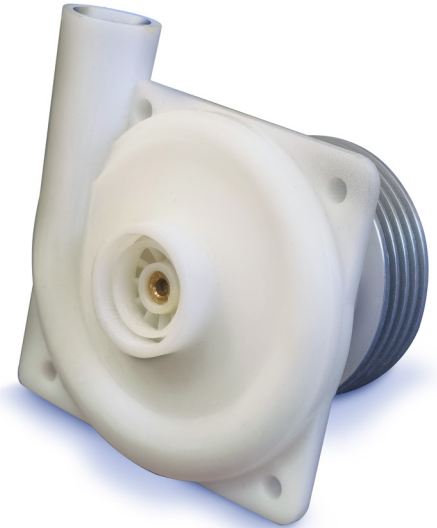
Work with oxygen-enriched airflow

Adaptable to OEM system

Integrated drive (optional) controls the impeller speed according to a system input command

Features

- Low weight
- Compact dimensions
- Customized to customer needs



Performance and Operation Range

Character	Value / Range	Remarks
Input		
Voltage [VDC]	24	Motor winding can be customized to a different bus voltage
Power [W]	up to 50	
Motor		
Type	Low cogging BLDC type	
Commutation	Sensor-less, hall effect	Optional driver is sensor less
Motor control drive	Options: ■ Integrated drive ■ separated drive ■ without drive	Uses system drive Sensor less Customization required
Analogue speed command [V]	0 - 0.5 Guaranteed stop 0.5 - 2 Transition 2 - 4.5 Operation range	
Tacho frequency [pulses/ rev.]	3	Using hall sensor pulses
Communication (optional)	RS 485/CAN	Customization required
Performance		
Static pressure [Pa]	6700	Blower outlets blocked completely @ 50 k rpm
Free flow [l/min.]	300	No flow resistance at outlet @ 50 k rpm Depending on driver used and available power
Nominal working point [Pa]	2000 to 4000	200 to 350 L/min. (@ best efficiency of 45% to 55%)
Speed range [RPM]	up to 55,000	
Option	integrated thermal sensor in motor winding	Customization required

Options

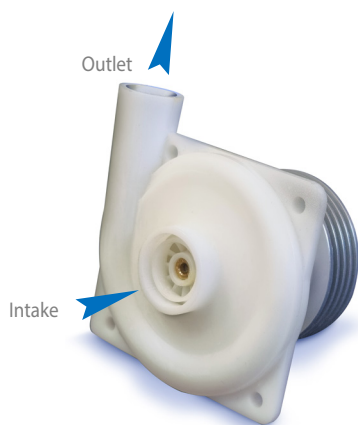
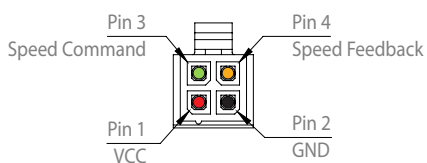
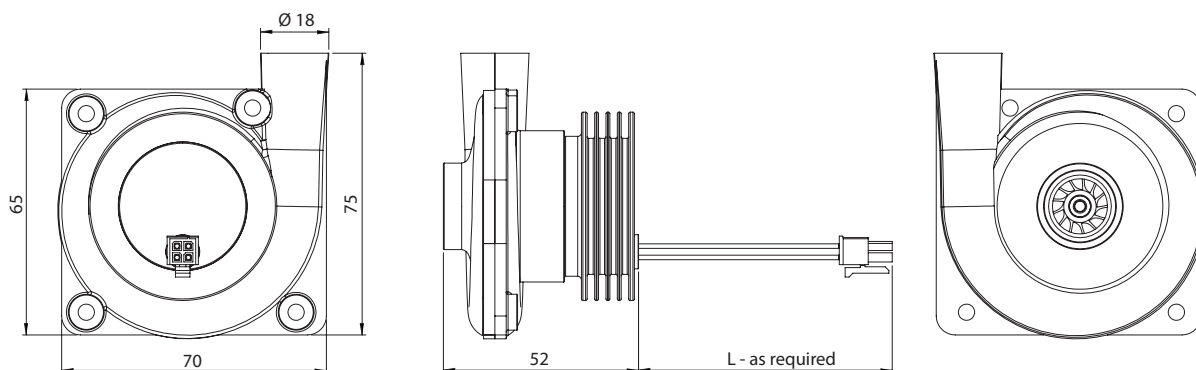
- Mechanical and Electrical Interface can be modified to meet specific customer requirements
- Control / drive integrated or separated or Customization

Applications

- Ventilating machines
- Mobile respirators
- Medical facial protection gear
- Compressed air protection suit
- Electronics circuitry cooling

P-Series Blowers

Customizable Micro Blower



Gevasol Group

Bental is a member of Gevasol Group.

Gevasol is a group of companies, oriented toward developing and producing customized and tailored solutions, developed together with its customers. Gevasol' diverse disciplines skilled engineers and operational teams allow us to turn an idea into a product quickly. The design process starts with listening to the customer and fully understanding his needs. Our customers rely on our responsiveness.